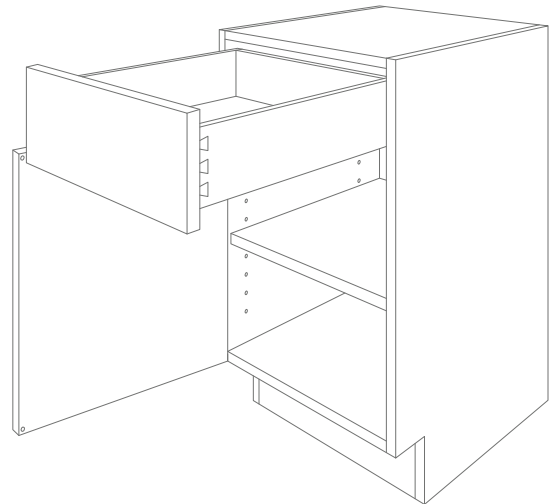


1600 series

FORM, FUNCTION, & VALUE

Smart, innovative design allows you to meet budget boundaries without compromising personal style or construction quality.

1600 & 1900 SERIES

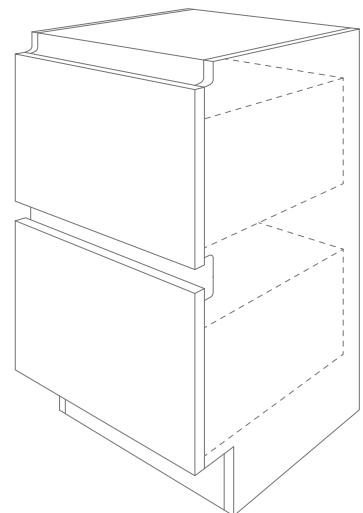


1900 series

ENDLESS STYLE & OPTIONS

The beauty of strength and versatility combined with affordable custom capabilities, allowing form and function to live in harmony.

VERO SERIES



VERO series

TRUE EURO DESIGN

Italian influenced design with a simple linear rail system, provides a continuous “no handle” appearance uninterrupted by door or drawer hardware, a sleek finger space and contrasting metal finish.

CABINET CONSTRUCTION:**Case Material:** (sides, top, bottom & shelves)

- Industrial grade particleboard (standard)	5/8"	3/4"	3/4"
- Plywood	5/8"	3/4"	-

Construction:

- Full-top construction	X	X	X
- 1/4" captured back panel	X	X	X
- 5/8" concealed hanging rail	X	X	X
- Assembled with concealed hardwood dowels	X	X	X
- Solid color PVC edge banding on all box parts	X	X	Gray Only
- Door matched PVC banding on factory finished ends	X	X	-
- Real wood veneer box banding for wood door styles (optional)	-	X	-
- 6-way adjustable, soft-close, quick release hinges with 105° door opening	X	X	X
- Permanently drilled in door and drawer bumpers	X	X	X
- Full-depth shelves, supported on adjustable steel shelf pins (1.25" increments)	X	X	X
- Decrease modifications H, W, D	1/4" Increments	Multiple Options	Multiple Options
- Limited lifetime warranty (To original purchaser for as long as you own the home.)	X	X	X

CABINET INTERIOR:

- White melamine (standard)	X	X	-
- Gray melamine	X	X	X
- Simulated Maple woodgrain melamine	X	X	-
- Plywood w/UV cured clear top coat	X	X	-
- EcoCore w/simulated Maple woodgrain melamine	-	X	-

DRAWERS:

1600 Series: Access Wood Drawer (standard)	X	-	-
- 1/2" solid Poplar wood box, dovetail joinery, and 1/4" MDF melamine captive bottom with adjustable full-extension soft-close undermount guides. 75lb load capacity.			
1900 Series: Birch Wood Drawer (standard)	-	X	-
- 5/8" solid Birch wood box, dovetail joinery, and 1/4" Birch plywood captive bottom with adjustable full-extension soft-close undermount guides. 75lb load capacity.			
Satino Drawer	X	X	-
- Gray epoxy-powder coated steel sides and 5/8" thick drawer bottom with adjustable full-extension soft-close undermount guides. 75lb load capacity.			
Heritage Wood Drawer	-	X	-
- 5/8" solid natural finished Alder, dovetail joinery and 1/4" captive bottom with adjustable full-extension soft-close undermount guides. 75lb load capacity.			
Legra Drawer	-	X	X
- 1/2" gray powder coated steel and 5/8" thick drawer bottom with adjustable full-extension soft-close undermount guides. 88lb load capacity.			
Legra Tip-On	-	X	-

DOORS:

- Hardwood material grade for stile & rail constructed doors	Character	Fine	-
- Wood Veneer doors material grade	Fine	Fine	Fine
- Standard wood collection (Alder, Rustic Alder, Cherry, Maple, Red Oak, Rift White Oak)	X	X	Cherry
- Specialty wood species (Sapele, Bamboo, Walnut)	-	X	Sapele & Walnut
- Metal frame doors with glass inserts	X	X	X
- Wood frame doors with acrylic inserts	-	X	-

FINISHING:

- Wood door edge profile options	-	X	-
- Multiple stain and paint combinations	X	X	X
- Clear conversion vanish top coat (matte/5%)	X	X	X
- Specialty Villa (sand through & distressing) and Heirloom (dry brush) paint finishes	-	X	-
- Sherwin Williams "Color Select Program"	-	X	X